

FIG. 1 PRIOR ART

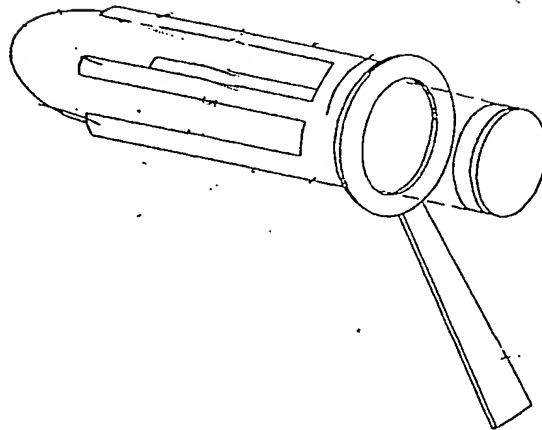


FIG. 2 PRIOR ART

20250408 08:00:00

30

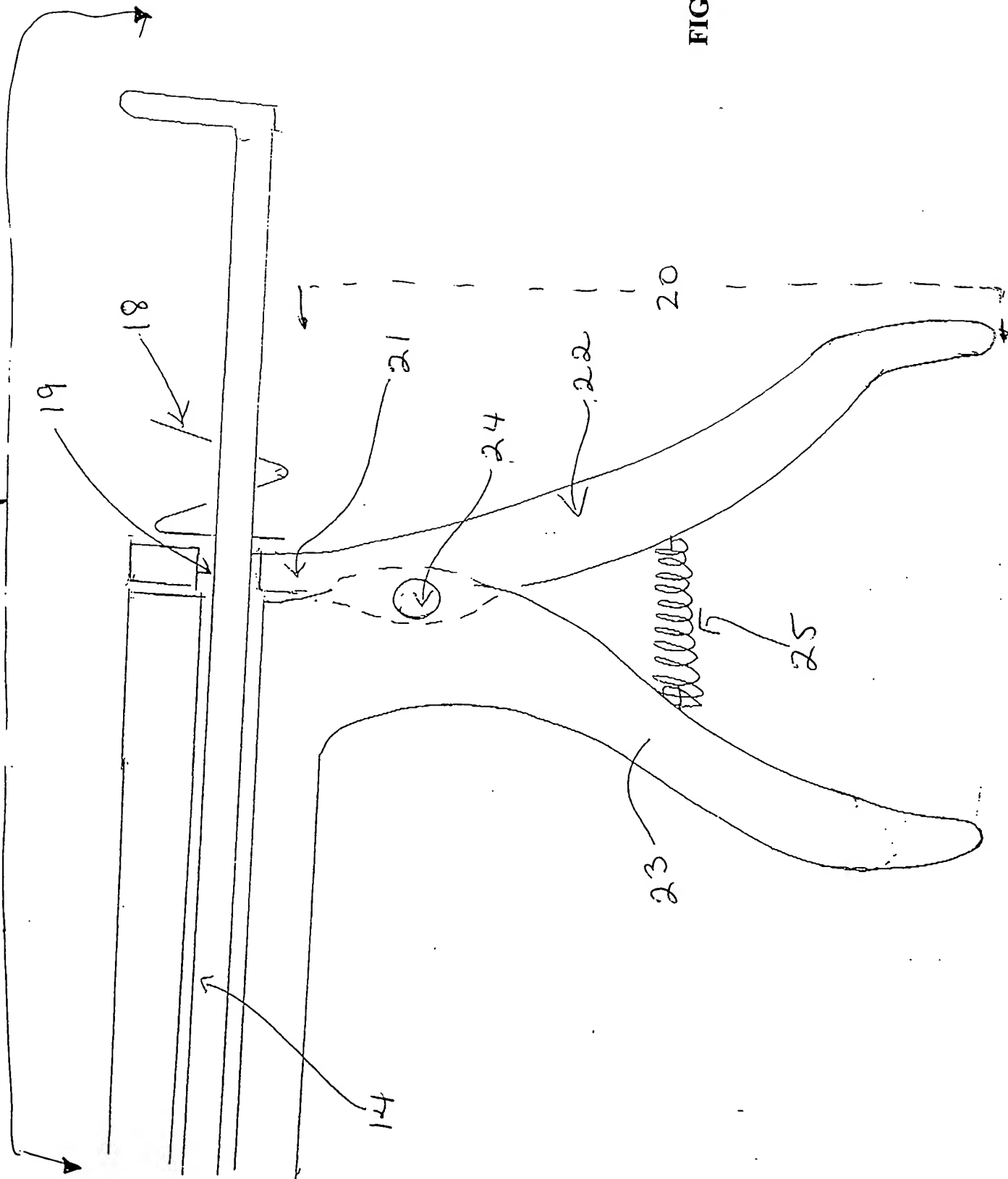


FIG. 4

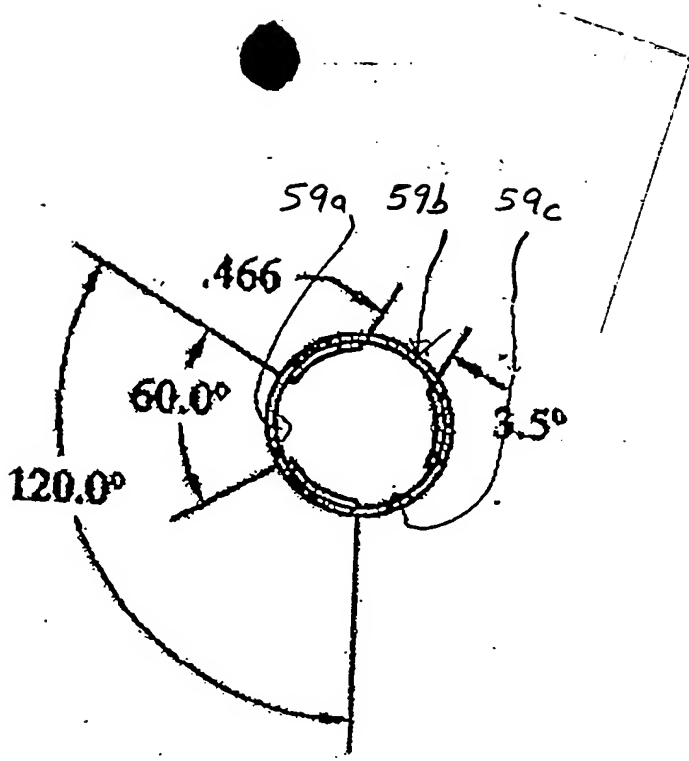
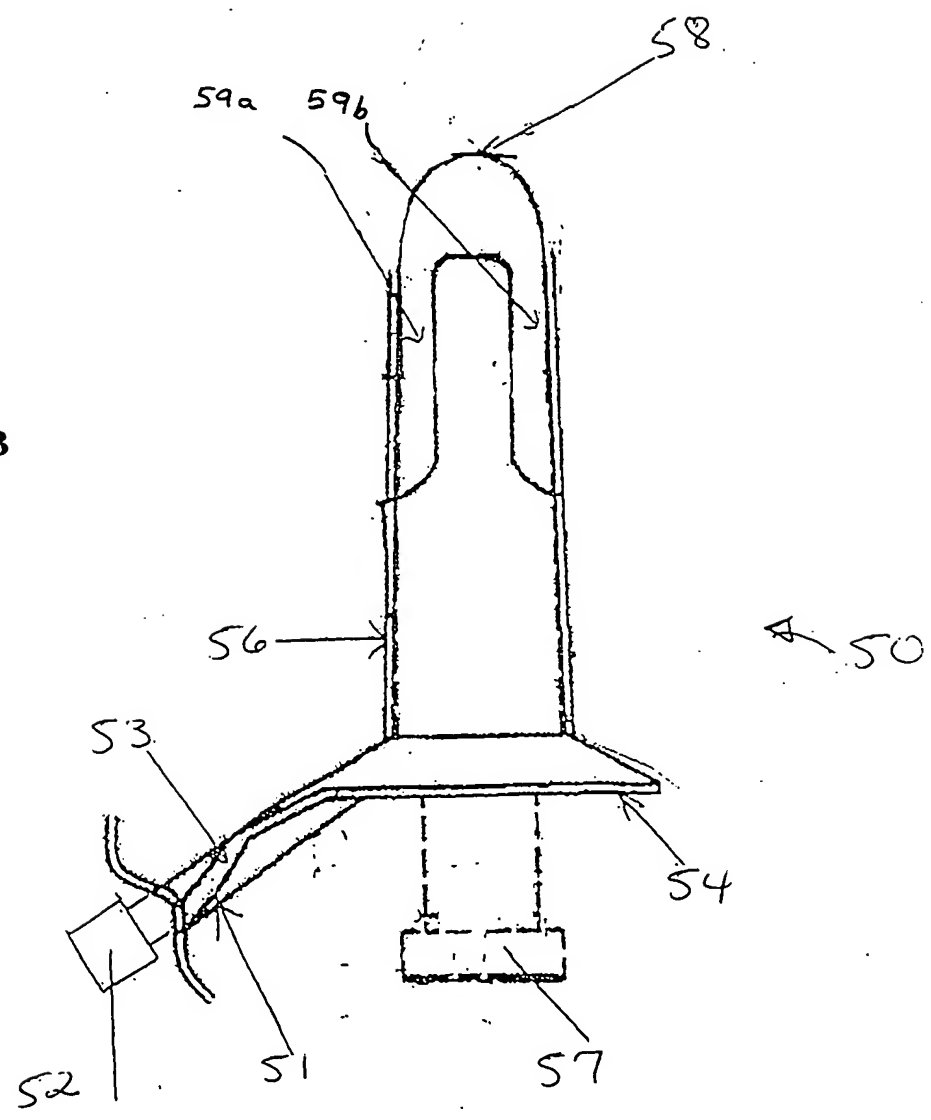


FIG. 5A

FIG. 5B



2025 RELEASE UNDER E.O. 14176

FIG. 6

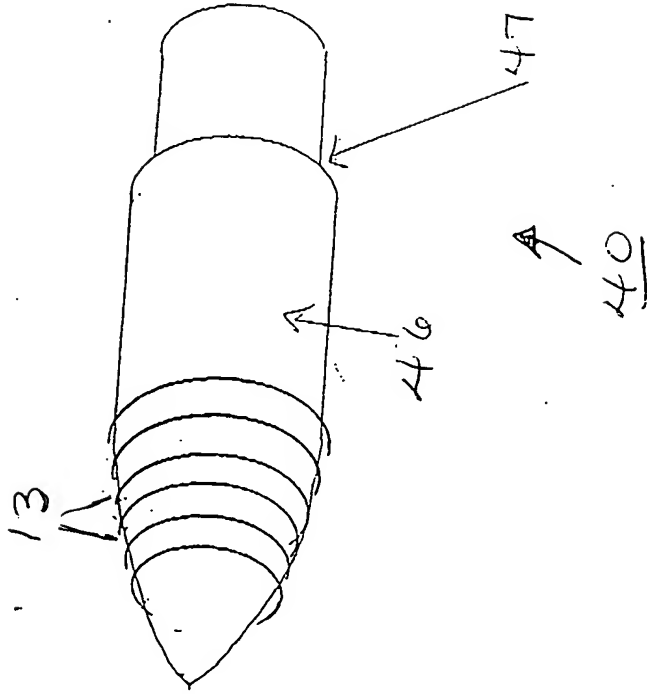
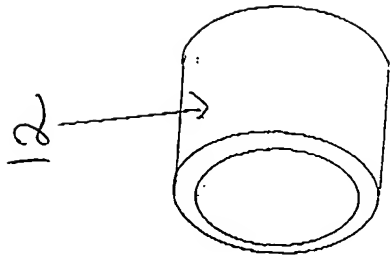


FIG. 6

3608086

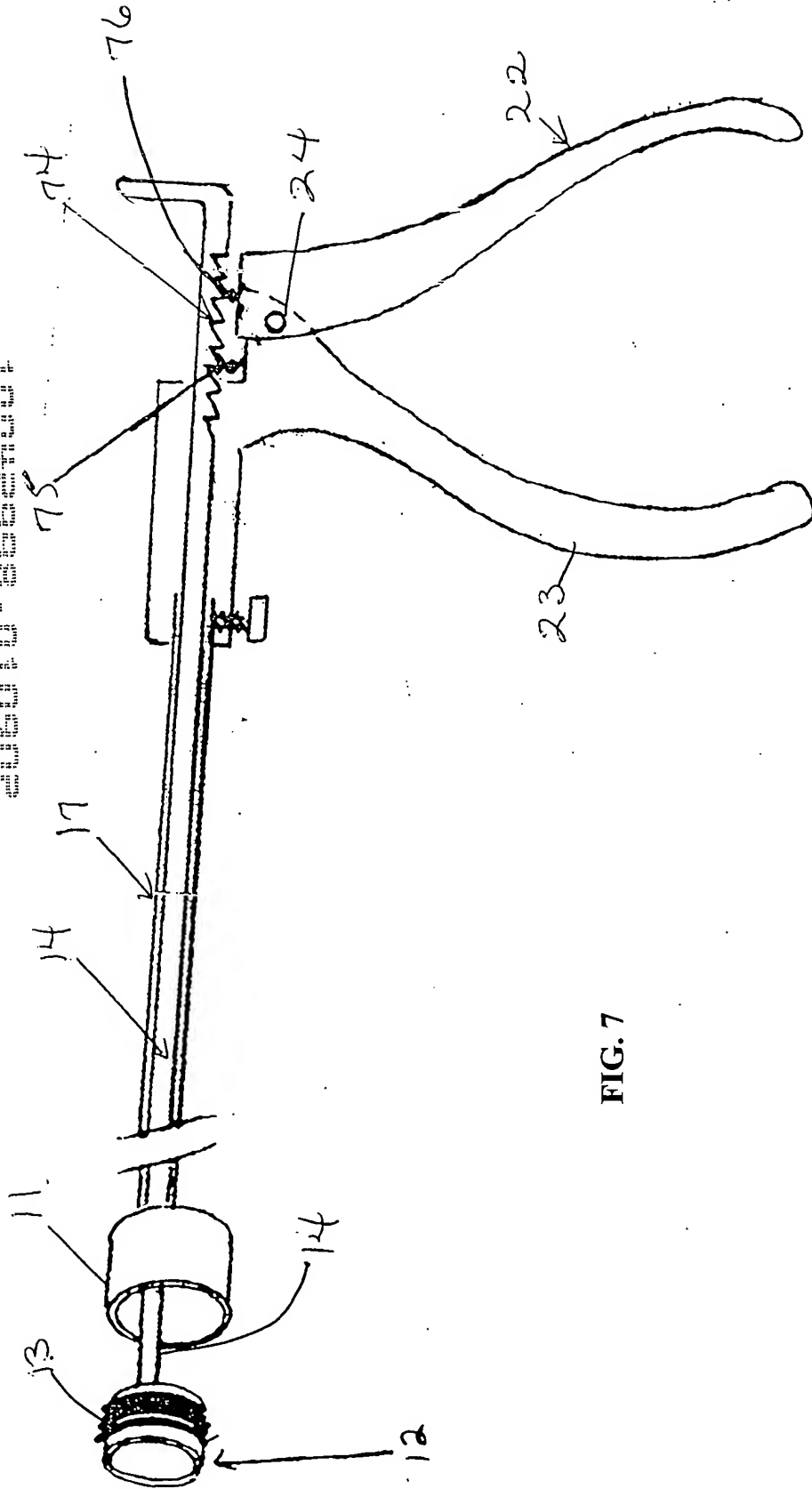


FIG. 7